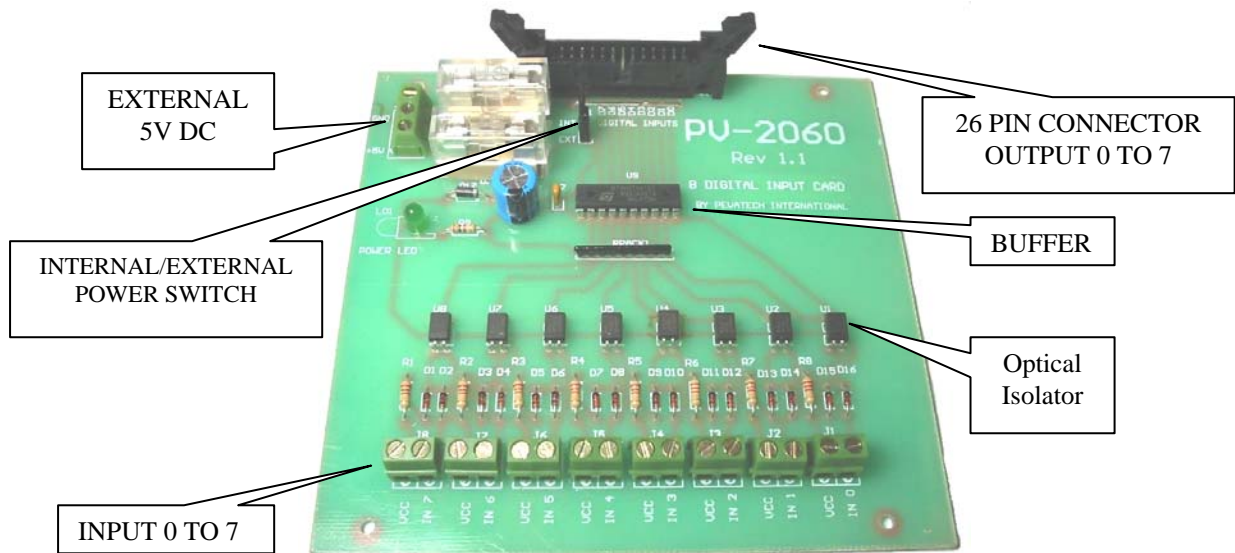


PV-2060

8 Optically Isolated Digital Input Card



PV-2060 Rev 1.1 Board

Description:

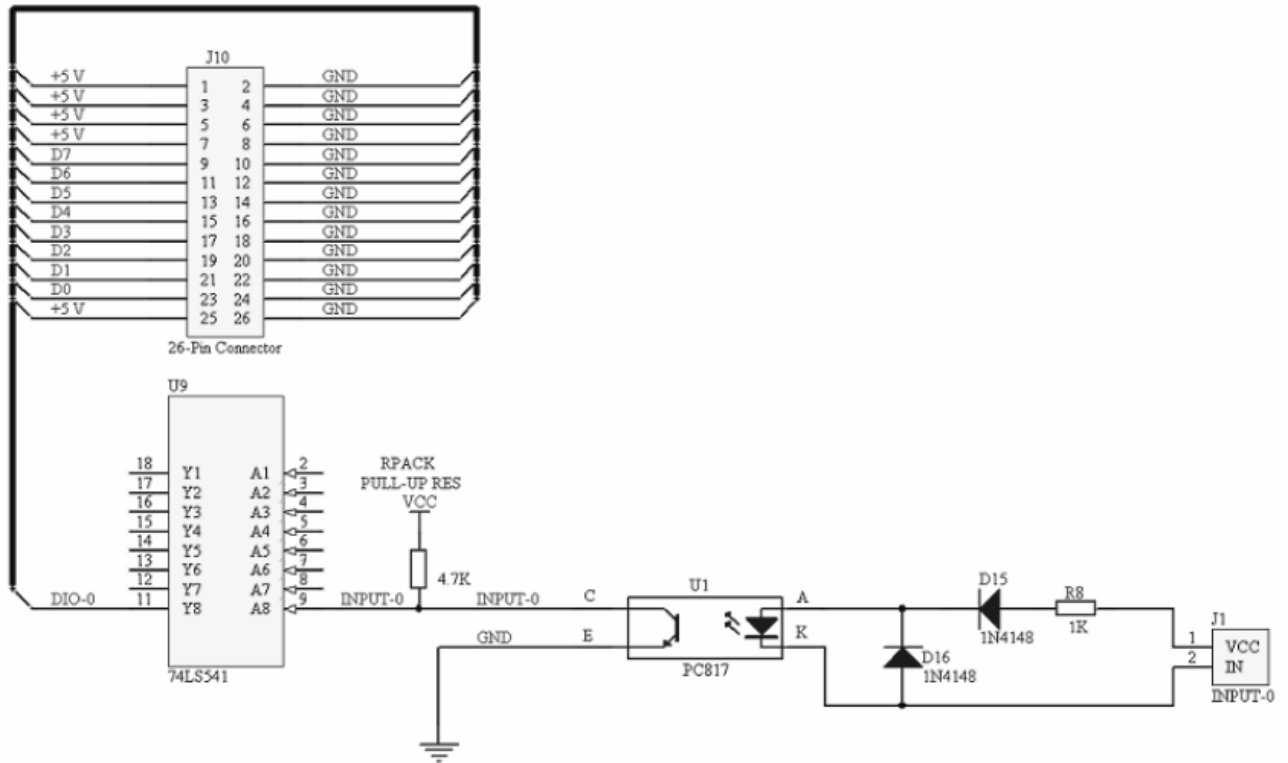
With the PV-2060 optically isolated digital input board, field digital signals can be easily connected to a computer equipped with data acquisition board, microcontroller or PLC using a 26 pin Flat Cable. Each PV-2060 board has screw terminals for eight input channels. Each input screw terminal is optically isolated from the digital I/O pins of Microcontroller board and from the other input terminals up to a working voltage of 5000 Vrms. This feature is useful in many situations, especially in industrial and other monitoring environments where common mode voltages are present.

Board Features:

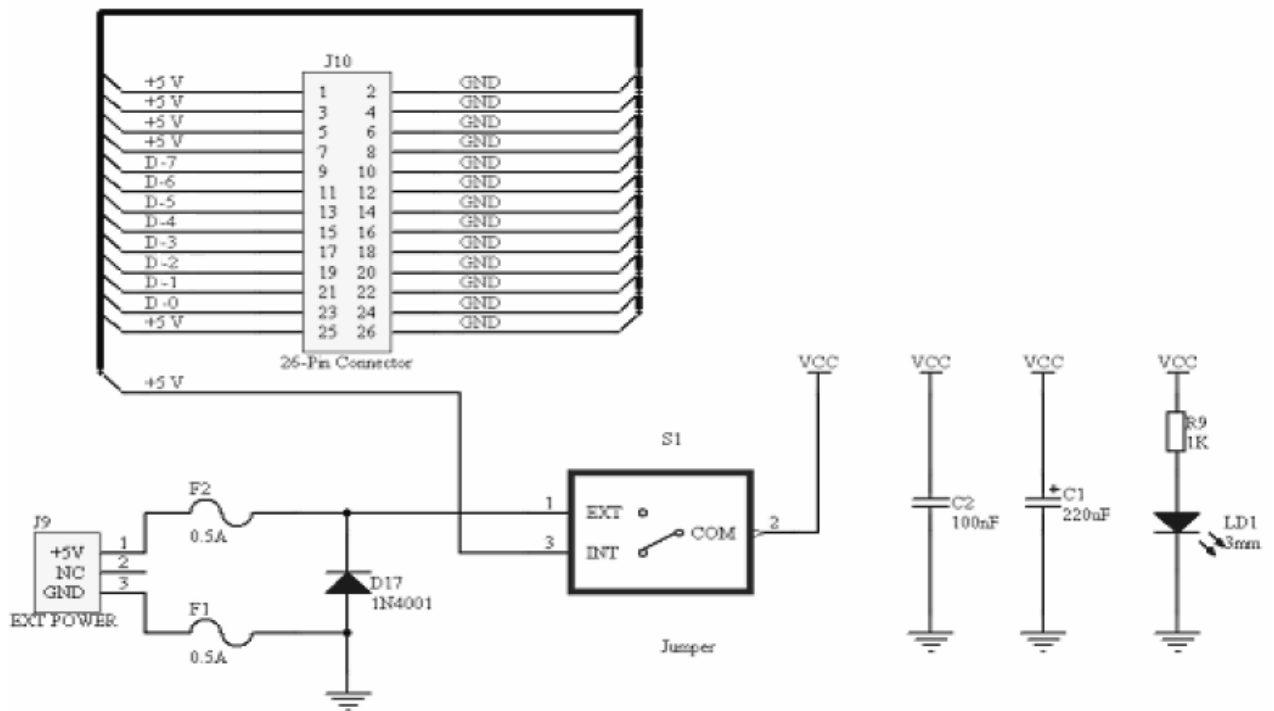
1. 8 independent optically isolated digital inputs with isolation up to 5000 V
2. Digital Input Range: 4→32V DC
3. Digital Output Compatible with most digital logic, including TTL and CMOS (0 → 5V DC)
4. Onboard Buffer to amplify and normalize Logic level signals
5. Onboard switch to use external 5V Connected to J9 or internal 5V coming from J10 26 pin
6. Board protected by 2 x 500mA Fuse to protect VCC and Ground
7. Using a PC817 a high density mounting type photocoupler
8. Optocoupler Current consumption is 20mA for each input
9. Simple field connections with screw terminals
10. Board dimensions (including standoffs) 125 by 132mm

Designed By:
Pevatech International.
Mar Roukoz Street,
Dekwaneh, Lebanon
P.O.BOX: 90-313
TEL/FAX: 961-1688414
Mobile: 961-3954391
Mail: info@pevatech.com
Web: www.pevatech.com

PV-2060 Rev 1.1 Onboard Equivalent Circuit



Power Supply Switching Onboard Equivalent Circuit



Designed By:
 Pevatech International.
 Mar Roukoz Street,
 Dekwaneh, Lebanon
 P.O.BOX: 90-313
 TEL/FAX: 961-1688414
 Mobile: 961-3954391
 Mail: info@pevatech.com
 Web: www.pevatech.com